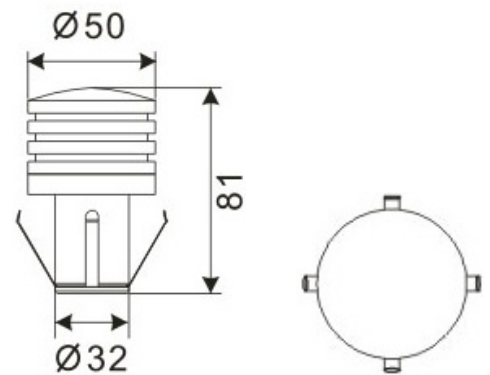


LED Recessed Lighting – LR-R00108



Model No.	LR-R00108
LED Type	CREE XRC
LED Q'TY.	1
Beam Angle	-
Minimum luminous flux(lm)	68
Voltage	120-240V
LED Watt	1W
Environmental Temperature	- 20°C~60°C
Environmental Humidity	0%-95%
Safety Class	II
Safety Type	IP68
Material	Aluminium
Driver	Included

For more information
www.ledrays.com